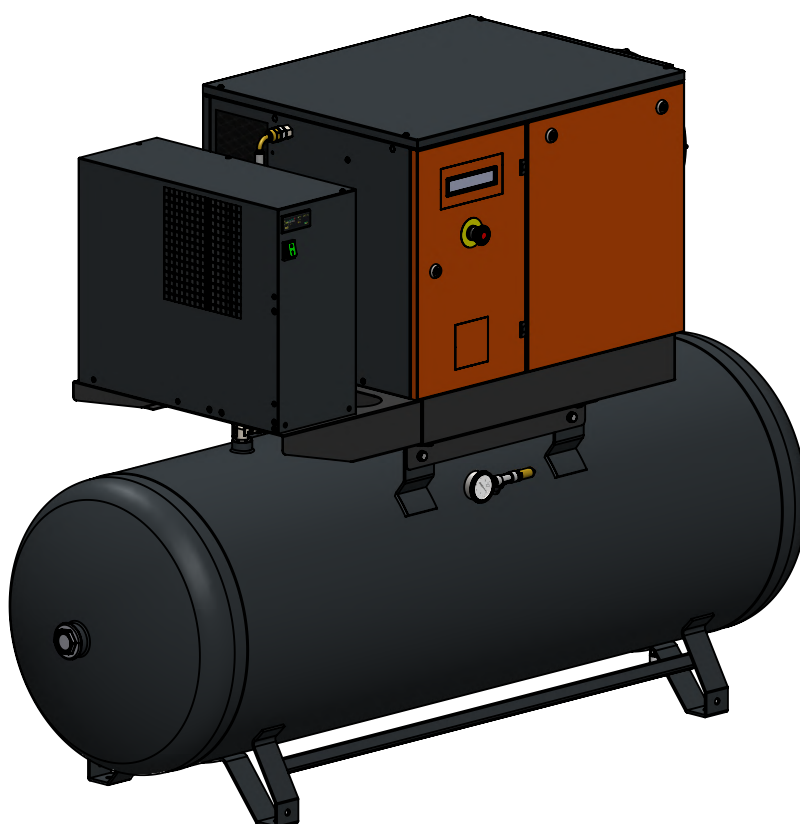
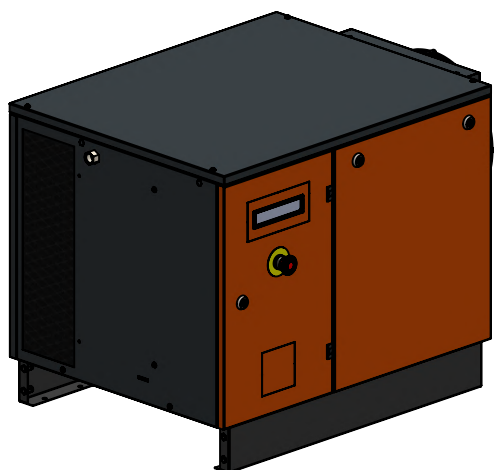
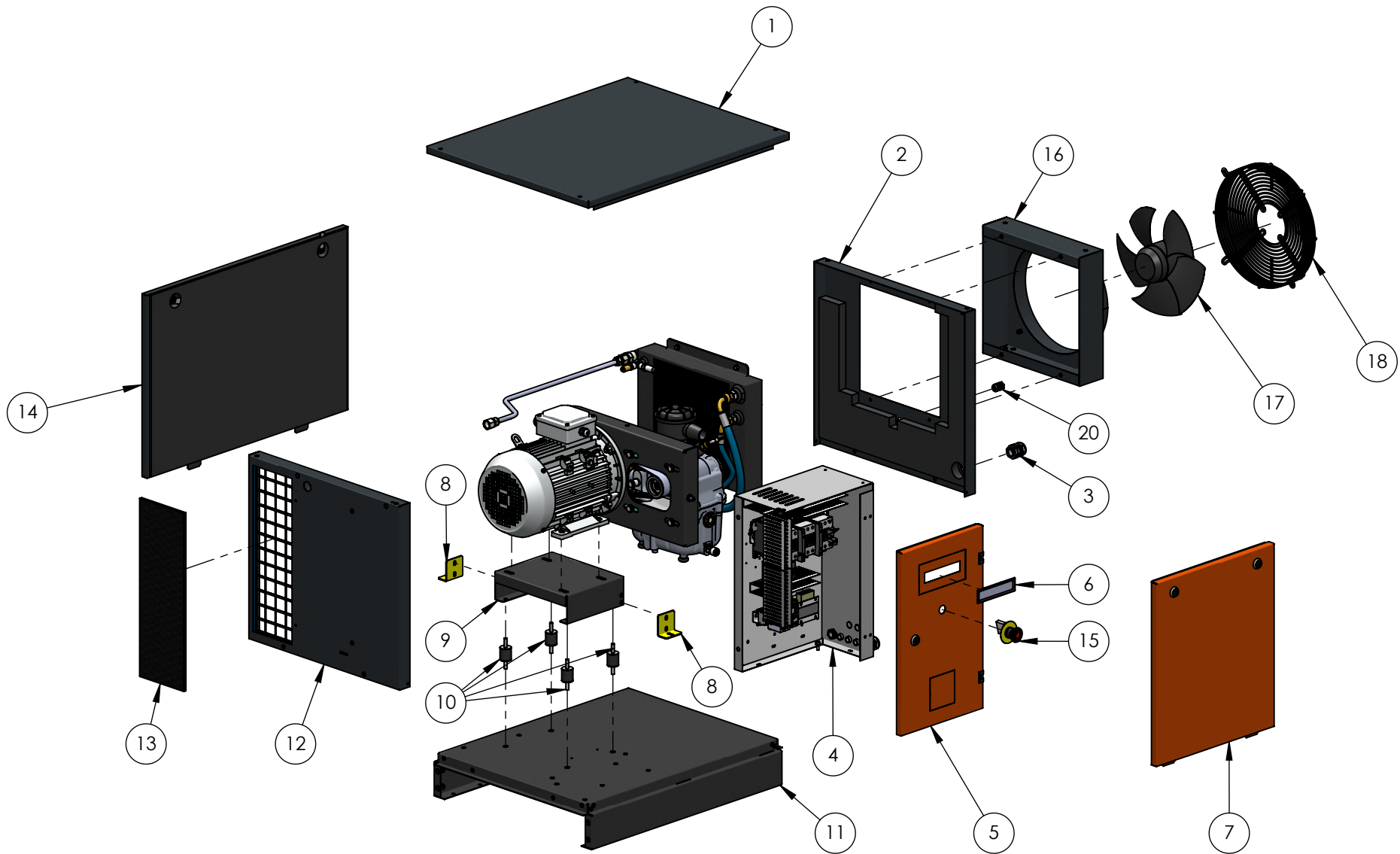


KV 10

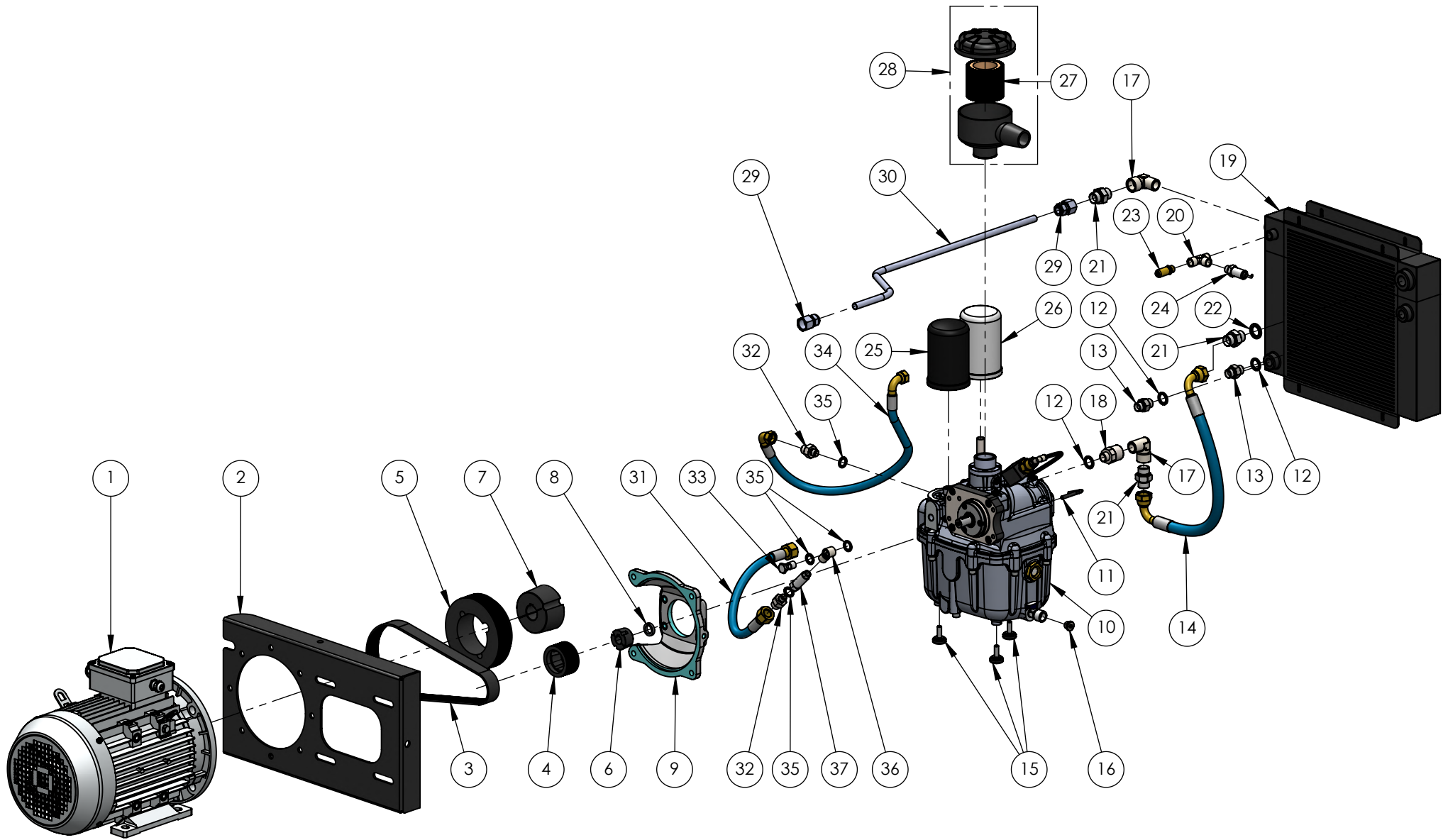




TIPO <i>Ricambi Carpenteria</i> TYPE <i>Carpentry Spare Parts</i>	CODICE CODE KV 10	DATA DATE 01/2023	REVISIONE REVISION 00
--	--------------------------------	-------------------------	-----------------------------

N°	Codice Code	Q.tà Q.ty	Descrizione	Description	(*) Rec.
1	RA01Z0366	1	COPERCHIO	TOP COVER	
2	RA01Z0412	1	PANNELLO LATO RADIATORE	RADIATOR SIDE PANEL	
3	RC03U1004	1	PRESSACAVO M25 x 1.5 +GHIERA	GLAND M25 x 1.5 WITH RING	
4	RC03U4143	1	CASSETTA COMPLETA V400	COMPLETE ELECTRICAL BOX 400V	
5	RA01Z0376-09-B-S	1	PANNELLO COMANDI	COMAND PANEL	
6	RC03U2004	1	CONTROLLORE ELETTRONICO Ktronic5	ELECTRONIC CONTROLLER Ktronic 5	
7	RA01Z371-09-B-S	1	PANNELLO LATO CASSETTA	ELECTRIC BOX SIDE PANEL	
8	RA01Z2022	2	STAFFA PER TRASPORTO	BRACKET SUPPORT	
9	RA01Z0369	1	SUPPORTO MOTORE	MOTOR BRACKET SUPPORT	
10	RF06R7351	4	ANTIVIBRANTE	ANTIVIBRATION	
11	RA01Z0368	1	BASAMENTO	BASE PLATE	
12	RA01Z0367	1	PANNELLO LATO ASPIRAZIONE	INTAKE SIDE PANEL	
13	RG07Q4012	1	FILTRO AMBIENTE	ENVIRONMENT FILTER	1
14	RA01Z0373	1	PANNELLO POSTERIORE	BACK PANEL	
15	RC03U1444	1	PULSANTE DI EMERGENZA	EMERGENCY BUTTON	
16	RA01Z0147	1	CONVOGLIATORE	CONVEYOR	
17	RE05S1000	1	ELETTOVENTILATORE	ELECTRIC FAN	
18	RE05S4000	1	GRIGLIA A CESTELLO	FAN GRILL	
19	RC03U1023	1	PRESSACAVO PG. 9	CABLE GLAND PG 9	

(*) Ricambi consigliati
Recommended spare parts



TIPO Ricambi Interni TYPE <i>Internal Spare Parts</i>	CODICE CODE	KV 10	DATA 01/2023 DATE	REVISIONE 00 REVISION
---	----------------	--------------	-----------------------------	---------------------------------

N°	Codice Code	Q.tà Q.ty	Descrizione	Description	(*) Rec.
1	RB02V0513	1	MOTORE ELETTRICO IE3	ELECTRIC MOTOR IE3	
2	RA01Z2376	1	STAFFA SUPPORTO	SUPPORT BRACKET	
3	RICAMBI TRASMISSIONE PAGINA SEGUENTE TRANSMISSION SPARE PARTS ON NEXT PAGE	1	CINGHIA POLY-V	POLY-V BELT	1
4		1	PULEGGIA POLY-V LATO VITE	SCREW SIDE POLY-V PULLEY	
5		1	PULEGGIA POLY-V LATO MOTORE	MOTOR SIDE POLY-V PULLEY	
6		1	BUSSOLA CONICA LATO VITE	SCREW SIDE TAPER BUSH	
7		1	BUSSOLA CONICA LATO MOTORE	MOTOR SIDE TAPER BUSH	
8	RD04T6012	1	DISTANZIALE	SPACER	
9	RD04T4020	1	LANTERNA	LANTERN	
10	RM10M0151	1	ADAM L60(Kt)/E 71°-10-3/4UM22 (PG7) 24V - 230V	ADAM L60(Kt)/E 71°-10-3/4UM22 (PG7) 24V - 230V	
11	RC03U1008	1	SONDA DI TEMPERATURA	TEMPERATURE PROBE	
12	RF06R7289	3	RONDELLA BONDED SEALS 3/8"	3/8" BONDED SEALS	
13	RF06R2100	2	NIPPLES DI GIUNZIONE SVASATO 3/8"	3/8" NIPPLE	
14	RF06R0178	1	TUBO FLEX ARIA 1/2" F90°x1/2" - F90°x1/2"	AIR HOSE 1/2" F90°x1/2" - F90°x1/2"	1
15	RF06R7352	3	PIEDINO REGOLABILE	ADJUSTABLE RIBBED FEET	
16	RF06R7058	1	TAPPO	PLUG	
17	RF06R2142	2	RACCORDO A L MF 1/2"	FITTING 90° MF 1/2"	
18	RF06R2232	1	RIDUZIONE M 3/8" x F 1/2"	REDUCING CONNECTOR M3/8" x F1/2"	
19	RE05S0100	1	SCAMBIATORE	AIR/OIL COOLER	
20	RF06R2231	1	RACCORDO T MFF 1/4" FEMMINA AL CENTRO	1/4" T FITTING WITH CENTER FEMALE	
21	RF06R2101	3	NIPPLES DI GIUNZIONE SVASATO 1/2"	1/2" NIPPLE	
22	RF06R7338	1	RONDELLA BONDED SEALS 1/2"	1/2" BONDED SEALS	
23	RF06R9010 RF06R9002 RF06R9120	1	VALVOLA SICUREZZA 1/4" 9 BAR VALVOLA SICUREZZA 1/4" 11 BAR VALVOLA SICUREZZA 1/4" 13,5 BAR	1/4" SAFETY VALVE 9 BAR 1/4" SAFETY VALVE 11 BAR 1/4" SAFETY VALVE 13,5 BAR	
24	RC03U1000	1	TRASMETTITORE DI PRESSIONE	PRESSURE TRANSMITTER	
25	RG07Q1002	1	FILTRO OLIO	OIL FILTER	1
26	RG07Q1003	1	FILTRO DISOLEATORE	AIR/OIL SEPARATOR FILTER	1
27	RG07Q0120	1	CARTUCCIA FILTRO ASPIRAZIONE	INLET FILTER CARTRIDGE	1
28	RG07Q0125	1	FILTRO DI ASPIRAZIONE COMPLETO	COMPLETE INTAKE AIR FILTER	
29	RF06R2255	2	RACC. 1/2 FEMMINA CON OGIVA PER TUBO	1/2" STRAIGHT FEMALE FITTING FOR HOSE	
30	RF06R0275	1	TUBO USCITA ARIA	AIR OUTLET PIPE	
31	RF06R0278	1	TUBO FLEX OLIO 3/8" Fx3/8" - Fx3/8"	OIL HOSE 3/8" Fx3/8" - Fx3/8"	1
32	RF06R2234	2	NIPPLES 3/8" x 1/4"	3/8" x 1/4" NIPPLE	
33	RF06R7314	1	VITE FORATA 1/4"	1/4" PREFORED BOLT	
34	RF06R0123	1	TUBO FLEX OLIO 3/8" F90°x3/8" - F90°x3/8"	OIL HOSE 3/8" F90°x3/8" - F90°x3/8"	1
35	RF06R7324	4	RONDELLA BONDED SEALS 1/4"	1/4" BONDED SEALS	
36	RF06R2163	1	RACCORDO AD OCCHIO 1/4" F.	1/4" FITTING EYE TIPE	
37	RF06R2264	1	PROLUNGA M/F 1/4"	1/4" MALE-FEMALE EXTENSION	

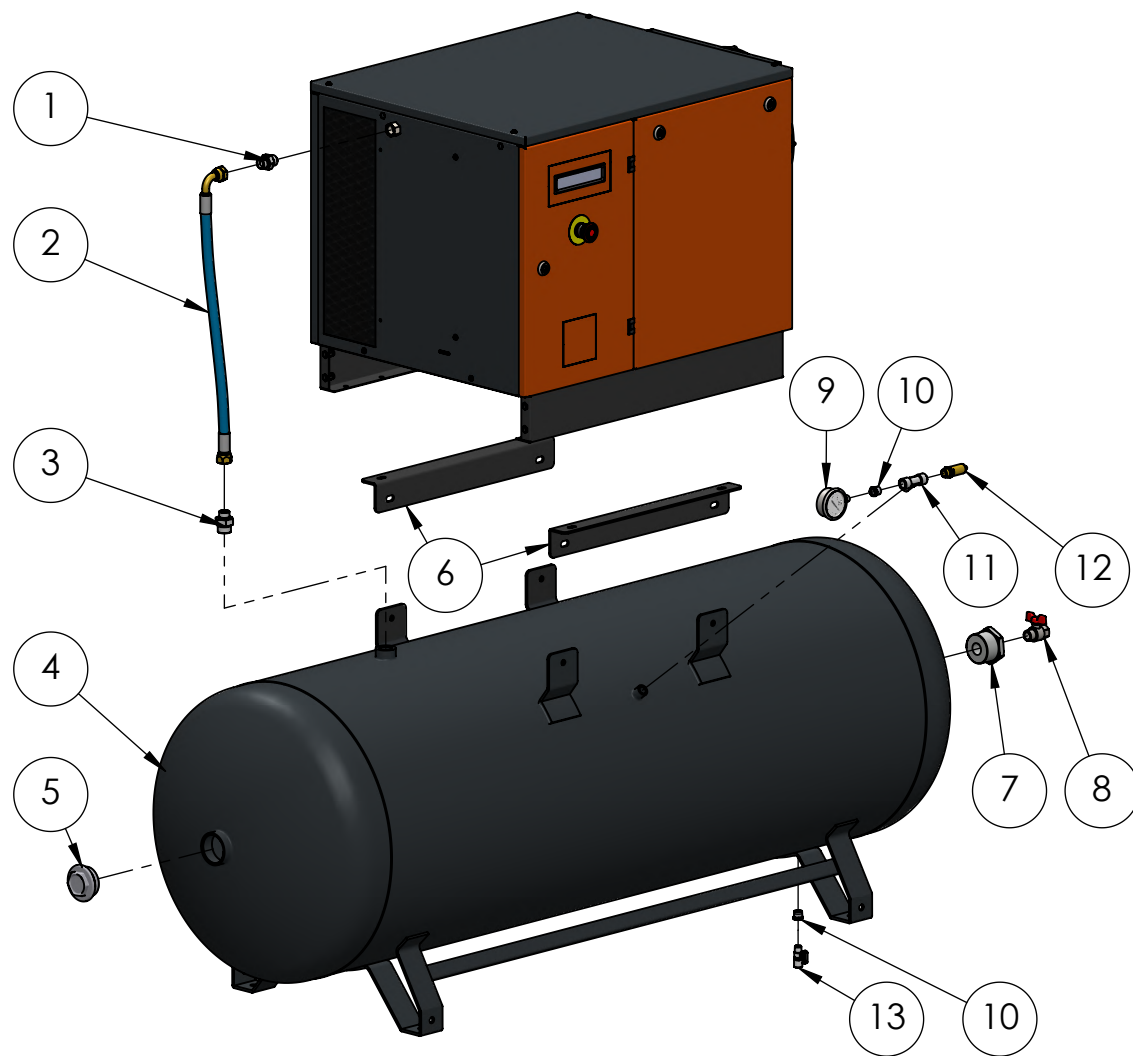
(*) Ricambi consigliati
Recommended spare parts

TIPO TYPE	Ricambi Interni Internal Spare Parts	CODICE CODE	KV 10	DATA DATE	01/2023	REVISIONE REVISION	00
--------------	--	----------------	--------------	--------------	---------	-----------------------	----

TRASMISSIONI PER MACCHINE MOD. KV 10 (50Hz) KV 10 TRANSMISSION (50Hz)						
POTENZA POWER (KW)	P (bar)	(4) PULEGGIA VITE SCREW PULLEY	(6) BUSSOLA VITE SCREW BUSH	(5) PULEGGIA MOTORE MOTOR PULLEY	(7) BUSSOLA MOTORE MOTOR BUSH	(3) CINGHIA BELT
7,5	8	RD04T0101	RD04T1001	RD04T0100	RD04T1010	RD04T2045*
	10	RD04T0101	RD04T1001	RD04T0100	RD04T1010	RD04T2045*
	13	RD04T0103	RD04T1001	RD04T0100	RD04T1010	RD04T2045*

(*) Ricambi consigliati
Recommended spare parts

TIPO Ricambi Interni TYPE <i>Internal Spare Parts</i>	CODICE CODE KV 10	DATA DATE 01/2023	REVISIONE REVISION 00
---	--------------------------------	--------------------------------	------------------------------------

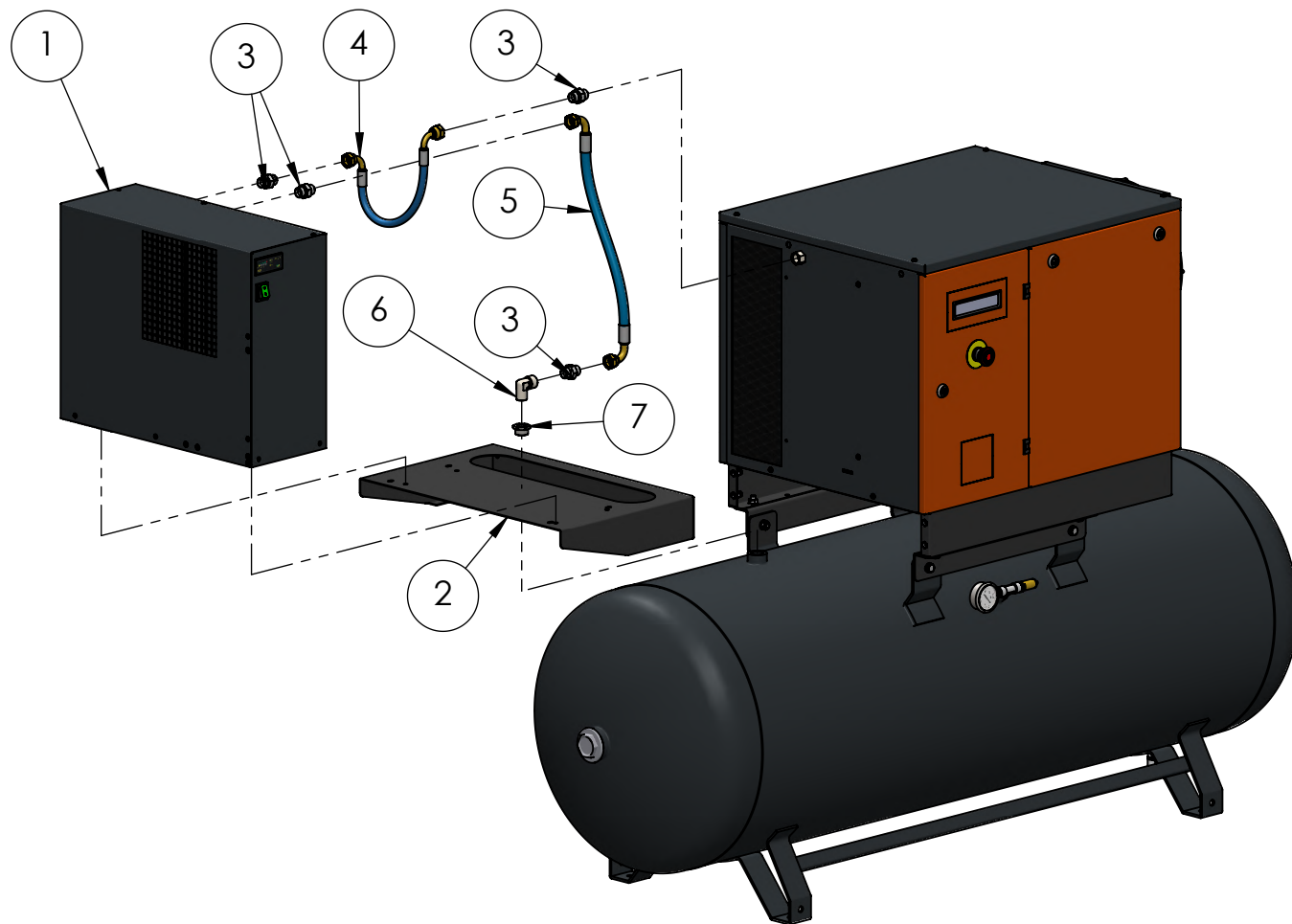


TIPO Ricambi con versione serbatoio TYPE <i>Air tank version spare parts</i>	CODICE CODE KV 10	DATA DATE 01/2023	REVISIONE REVISION 00
--	-----------------------------	----------------------	--------------------------

N°	Codice Code	Q.tà Q.ty	Descrizione	Description	(*) Rec.
1	RF06R2101	1	NIPPLES 1/2"x1/2"	1/2"x1/2" NIPPLE	
2	RF06R2172	1	TUBO FLEX ARIA 1/2" F90°x1/2" - Fx1/2"	AIR HOSE 1/2" F90°x1/2" - Fx1/2"	
3	RF06R2105	1	NIPPLES 3/4"x1/2"	3/4"x1/2" NIPPLE	
4	RH08P0202 RH08P0203 RH08P0222 RH08P0223 RH08P0237 RH08P0238 RH08P0242 RH08P0243 RH08P0245 RH08P0513 RH08P0514	1	SERBATOIO ARIA 270lt 11 bar Ø500 SERBATOIO ARIA 500lt 11 bar Ø600 SERBATOIO ARIA 500lt 15 bar Ø600 SERBATOIO ARIA 270lt 15 bar Ø500 SERB. 270lt 11bar CE-AD2000 Ø500 SERB. 500lt 11bar CE-AD2000 Ø600 SERB. ARIA 270lt AS1210 11 bar Ø500 SERB. ARIA 500lt AS1210 11 bar Ø600 SERB. 270lt 16bar CE-AD2000 Ø500 SERB. 270lt 11bar ASME USA + ASME "UM STAMP" SERB. 500lt 11bar ASME USA + ASME "UM STAMP"	AIR TANK 270lt 11 bar Ø500 AIR TANK 500lt 11 bar Ø600 AIR TANK 500lt 15 bar Ø600 AIR TANK 270lt 15 bar Ø500 AIR TANK 270lt 11 bar CE-AD2000 Ø500 AIR TANK 500lt 11 bar CE-AD2000 Ø600 AIR TANK 270lt 11 bar AS1210 Ø500 AIR TANK 500lt 11 bar AS1210 Ø600 AIR TANK 270lt 16 bar CE-AD2000 Ø500 AIR TANK 270lt 11 bar ASME USA + ASME "UM STAMP" AIR TANK 500lt 11 bar ASME USA + ASME "UM STAMP"	
5	RF06R2185	1	TAPPO	PLUG	
6	RA01Z2378	2	STAFFA A L PER FISSAGGIO SU SERBATOIO	L SUPPORT FOR FIXING ON TANK	
7	RF06R2186	1	RIDUZIONE 2"x1/2"	REDUCING CONNECTOR 2"x1/2"	
8	RF06R9007	1	RUBINETTO MF 1/2"	1/2" MF SPHERE VALVE	
9	RF06R2003	1	MANOMETRO	MANOMETER	
10	RF06R7060	2	RIDUZIONE 3/8"x1/4"	REDUCING CONNECTOR 3/8"x1/4"	
11	RF06R2114	1	RACCORDO T FMF 3/8" MASCHIO AL CENTRO	3/8" FITTING FMF MALE IN CENTER	
12	RF06R9012 RF06R9009 RF06R9121	1	VALVOLA SICUREZZA 3/8" 9 BAR VALVOLA SICUREZZA 3/8" 11 BAR VALVOLA SICUREZZA 3/8" 13,5 BAR	SAFETY VALVE 3/8" 9 BAR SAFETY VALVE 3/8" 11 BAR SAFETY VALVE 3/8" 13,5 BAR	
13	RF06R9013	1	RUBINETTO A SFERA 1/4"	1/4" SPHERE VALVE	

(*) Ricambi consigliati
Recommended spare parts

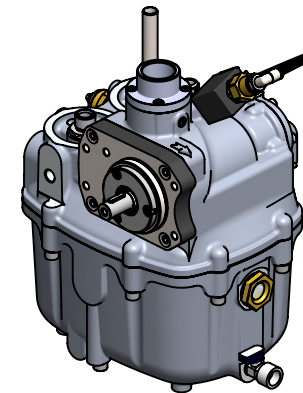
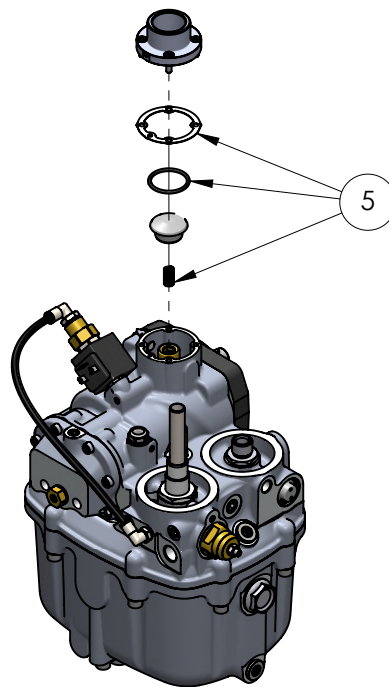
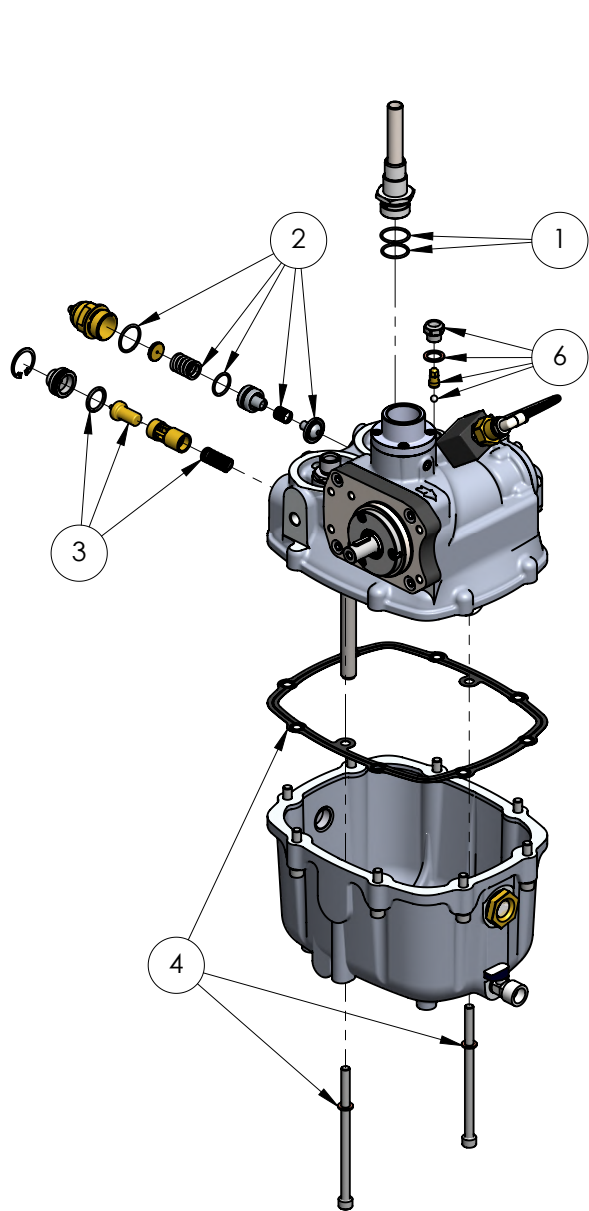
TIPO TYPE	Ricambi con versione serbatoio Air Tank version spare parts	CODICE CODE	KV 10	DATA DATE	01/2023	REVISIONE REVISION	00
--------------	---	----------------	--------------	--------------	---------	-----------------------	----



N°	Codice Code	Q.tà Q.ty	Descrizione	Description	(*) Rec.
1	RH08P0102	1	ESSIC. KDE54 230-240/50-60	DRYER KDE54 230-240/50-60	
2	RA01Z2396	1	STAFFA SUPPORTO ESSICCATORE	DRYER SUPPORT BRACKET	
3	RF06R2101	4	NIPPLES DI GIUNZIONE SVASATO 1/2"x1/2"	1/2"x1/2" NIPPLES	
4	RF06R0107	1	TUBO FLEX 1/2" F90°x1/2" - F90°x1/2"	AIR HOSE 1/2" F90°x1/2" - F90°x1/2"	
5	RF06R0161	1	TUBO FLEX 1/2" F90°x1/2" - F90°x1/2"	AIR HOSE 1/2" F90°x1/2" - F90°x1/2"	
6	RF06R2142	1	RACCORDO A L MF 1/2"	FITTING 90° MF 1/2"	
7	RF06R2144	1	RIDUZIONE 3/4"-1/2"	3/4" M x 1/2" F REDUCING CONNECTOR	

(*) Ricambi consigliati
Recommended spare parts

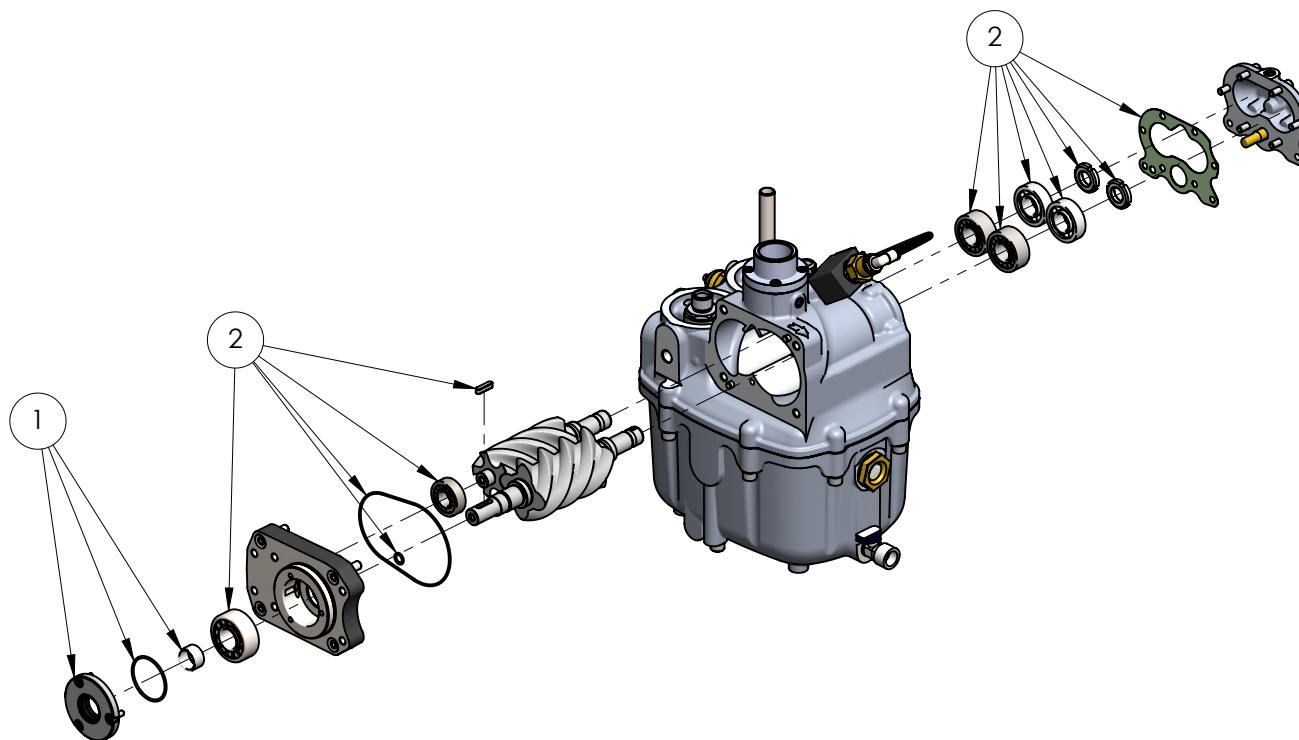
TIPO TYPE	Ricambi con versione Essiccatore Dryer version spare parts	CODICE CODE	KV 10	DATA DATE	01/2023	REVISIONE REVISION	01
--------------	--	----------------	--------------	--------------	---------	-----------------------	----



N°	Codice Code	Descrizione	Description	(*) Rec.
1	RN11L3010	KIT RICAMBIO NIPPLO SEP. M22-M24	M22-M24 SEPARATOR NIPPLES SPARE PARTS KIT	
2	RN11L3011	KIT RICAMBI V.M.P. G10 (1/2-3/4)	V.M.P. G10 (1/2-3/4) SPARE PARTS KIT	1
3	RN11L3040	KIT VALVOLA TERMOSTATICA ADAM 60 71°	THERMOSTATIC VALVE SPARE PARTS KIT ADAM 60 71°	1
4	RN11L3080	KIT ANELLI TENUTA BASE FLANGIA ADAM V60	ADAM BASE FLANGE O-RING SPARE PARTS KIT	
5	RN11L3006	KIT RICAMBI COMPLETO RH30E/nr	KIT INTAKE VALVE RH30E/nr SPARE PARTS KIT	1
6	RN11L3048	VISORE RECUPERO OLIO INTERNO	INTERNAL OIL RECOVERY VIEWER	

(*) Ricambi consigliati
Recommended spare parts

TIPO TYPE	Ricambi Adam L60 Adam L60 Spare Parts	CODICE CODE	KV 10	DATA DATE	01/2023	REVISIONE REVISION	00
--------------	---	----------------	--------------	--------------	---------	-----------------------	----



N°	Codice Code	Descrizione	Description	(*) Rec.
1	RN11L3045	KIT RICAMBI PARAOLIO ADAM 60	ADAM 60 AIR-END OIL SPLASHGUARD SPARE PARTS KIT	
2	RN11L3046	KIT RICAMBI CUSCINETTI ADAM 60	ADAM 60 AIR-END BEARINGS SPARE PARTS KIT	

(*) Ricambi consigliati
Recommended spare parts

TIPO TYPE	Ricambi Adam L60 <i>Adam L60 Spare Parts</i>	CODICE CODE	KV 10	DATA DATE	01/2023	REVISIONE REVISION	00
--------------	--	----------------	--------------	--------------	---------	-----------------------	----

HOURS	RICAMBI	SPARE PARTS	MAINTENANCE KIT WITHOUT OIL
2000	Filtro aria Filtro Olio Filtro Disoleatore	Inlet Filter Cartridge Oil filter Air/oil separator filter	R000OB0000001



OLIO / OIL

ITALYCO PREMIUM AM ISO 46 è un olio lubrificante ad alte prestazioni formulato per compressori d'aria a vite a iniezione d'olio. I suoi additivi antiusura forniscono un'ottima protezione, contribuendo così a garantire una maggiore longevità del compressore e dei suoi elementi.

ITALYCO PREMIUM AM ISO 46 is a high performance lubricating oil formulated for oil-injected screw air compressors. Its anti-wear additives provide excellent protection, thus helping to ensure greater longevity of the compressor and its elements.

QUANTITA' / QUANTITY	CODICE / CODE
5 LT	R000OA0100001

TIPO TYPE	Kit manutenzione <i>Maintenance Kit</i>	CODICE CODE	KV 10	DATA DATE	01/2023	REVISIONE REVISION	00
--------------	---	----------------	--------------	--------------	---------	-----------------------	----