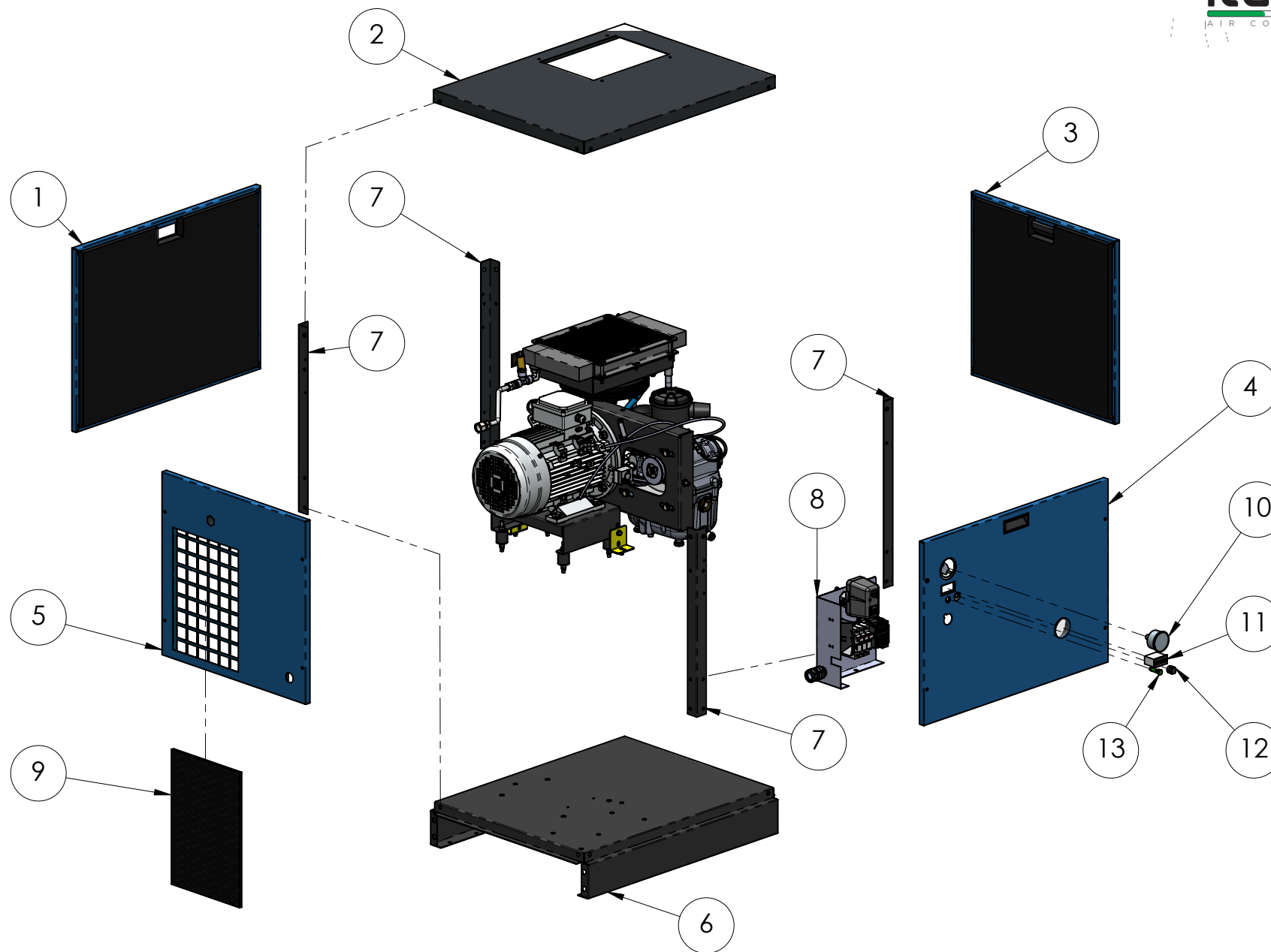


MAXI 6-8



| | | | | | | |
|--------------|--------------------------------------|----------------|--------------|---------|-----------------------|----|
| TIPO TYPE | Ricambi <i>Spare parts</i> | CODICE CODE | DATA DATE | 04/2024 | REVISIONE REVISION | 00 |
|--------------|--------------------------------------|----------------|--------------|---------|-----------------------|----|

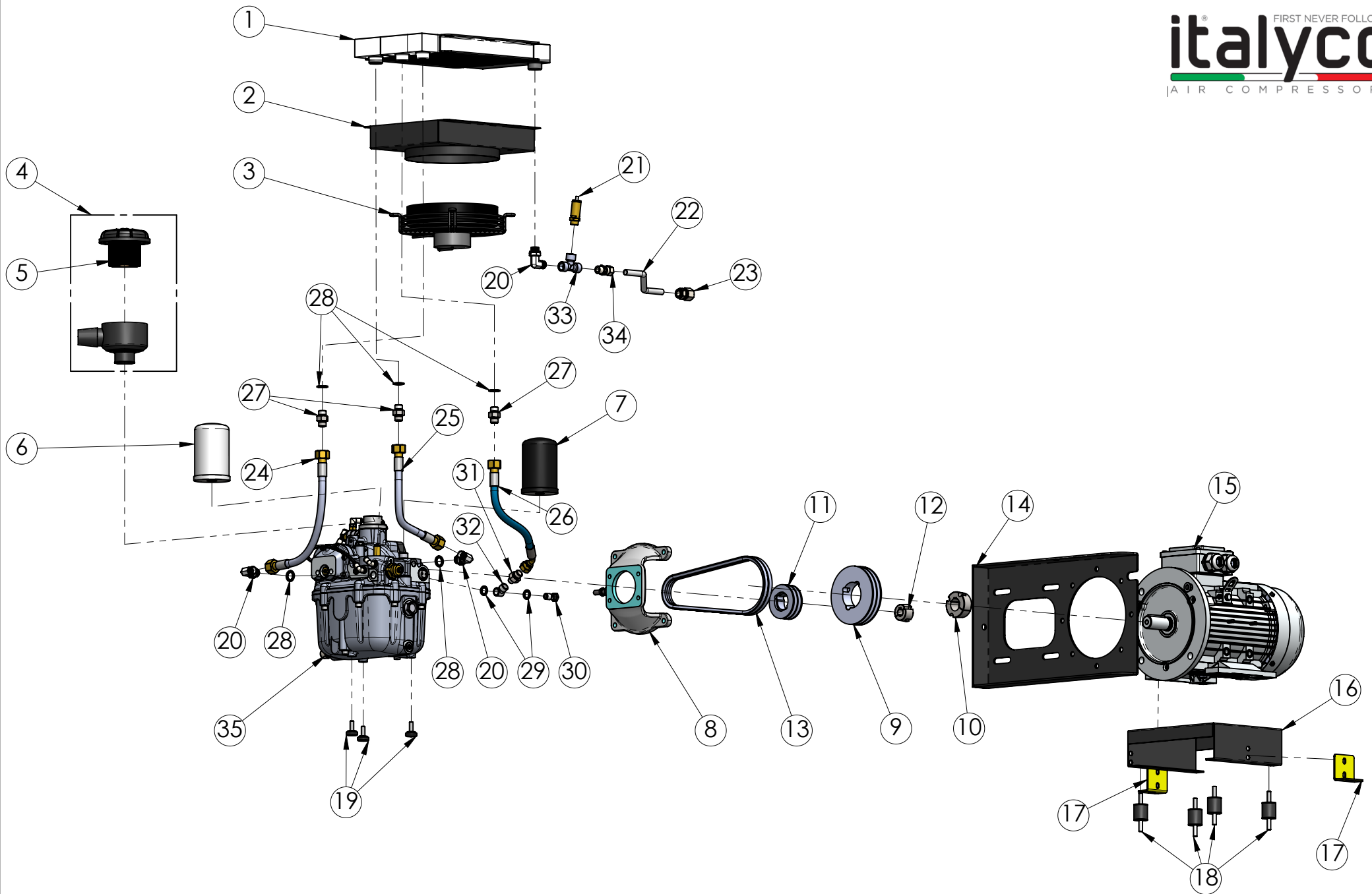


| | | | | |
|---|----------------|-----------------------------------|----------------------|--------------------------|
| TIPO Ricambi Carpenteria Esterna TYPE <i>External Carpentry Spare Parts</i> | CODICE CODE | MAXI 6-8 tutte le versioni | DATA DATE 04/2024 | REVISIONE REVISION 00 |
|---|----------------|-----------------------------------|----------------------|--------------------------|

| N° | Codice Code | Q.tà Q.ty | Descrizione | Description | (*) Rec. |
|----|------------------|-----------|---------------------------|-----------------------|----------|
| 1 | RA01Z0728-01-B-S | 1 | PANNELLO POSTERIORE | SIDE PANEL | |
| 2 | RA01Z0726-08-B-S | 1 | PANNELLO SUPERIORE | TOP PANEL | |
| 3 | RA01Z0727-01-B-S | 1 | PANNELLO LATERALE | SIDE PANEL | |
| 4 | RA01Z0729-01-B-S | 1 | PANNELLO LATO COMANDI | CONTROL SIDE PANEL | |
| 5 | RA01Z0725-01-B-S | 1 | PANNELLO LATO ASPIRAZIONE | INTAKE PANEL | |
| 6 | RA01Z0549-08-B | 1 | BASAMENTO | BASE PLATE | |
| 7 | RA01Z2732-08-B | 4 | MONTANTE | SIDE COLUMN | |
| 8 | RC03U4262 | 1 | CASSETTA ELETTRICA | ELECTRIC BOX | |
| 9 | RG07Q4052 | 1 | FILTRO AMBIENTE | ENVIROMENT FILTER | |
| 10 | RF06R2382 | 1 | MANMETRO | PRESSURE GUAGE | |
| 11 | RF06R9006 | 1 | CONTAORE | HOUR COUNTER | |
| 12 | RC03U1002 | 1 | TERMOSTATO CAPILLARE | CAPILATORY THERMOSTAT | |
| 13 | RC03U1418 | 1 | SPIA PRESENZA TENSIONE | VOLTAGE PRENCE LIGHT | |

(*) Ricambi consigliati
Recommended spare parts

| | | | | | | |
|--------------|---|-----------------------------------|--------------|---------|-----------------------|----|
| TIPO TYPE | Ricambi Carpenteria Esterna <i>External Carpentry Spare Parts</i> | MAXI 6-8 tutte le versioni | DATA DATE | 04/2024 | REVISIONE REVISION | 00 |
|--------------|---|-----------------------------------|--------------|---------|-----------------------|----|



| | | | | |
|---|----------------|-----------------------------------|----------------------|--------------------------|
| TIPO Ricambi Interni TYPE <i>Internal spare parts</i> | CODICE CODE | MAXI 6-8 tutte le versioni | DATA DATE 04/2024 | REVISIONE REVISION 00 |
|---|----------------|-----------------------------------|----------------------|--------------------------|

| N° | Codice Code | Q.tà Q.ty | Descrizione | Description | (*) Rec. |
|----|---|-----------|---|---|----------|
| 1 | RE05S0114 | 1 | SCAMBIATORE OLIO/ARIA | OIL/AIR HEAT EXCHANGER | |
| 2 | RA01Z2042 | 1 | CONVOGLIATORE | CONVEYOR | |
| 3 | RE05S1005 | 1 | ELETTOVENTILATORE | ELECTRIC FAN | |
| 4 | RG07Q0125 | 1 | FILTRO ASPIRAZIONE | INTAKE FILTER | |
| 5 | RG07Q0120 | 1 | CARTUCCIA FILTRO ASPIRAZIONE | INLET FILTER CARTRIDGE | |
| 6 | RG07Q1003 | 1 | FILTRO DISOLEATORE | AIR-OIL SEPARATOR | |
| 7 | RG07Q1002 | 1 | FILTRO OLIO | OIL FILTER | |
| 8 | RD04T4020 | 1 | LANTERNA TIROCINGHIA | BELT TENSIONING LANTERN | |
| 9 | RICAMBI TRASMISSIONE PAGGINA SEGUENTE TRANSMISSION SPARE PARTS ON NEXT PAGE | 1 | PULEGGIA POLY-V LATO MOTORE | MOTORSIDE POLY-V PULLEY | |
| 10 | | 1 | BUSSOLA CONICA LATO MOTORE | BUSSOLA CONICA LATO MOTORE | |
| 11 | | 1 | PULEGGIA POLY-V LATO VITE | SCREW SIDE POLY-V PULLEY | |
| 12 | | 1 | BUSSOLA CONICA LATO VITE | SCREW SIDE TAPER BUSH | |
| 13 | | 1 | CINGHIA POLY-V | POLY-V BELT | 1 |
| 14 | RA01Z2376 | 1 | STAFFA TIRO CINGHIA | BELT PULLING BRACKET | |
| 15 | RB02V0514 RB02V0407 | | MOTORE ELET. 4kW MOTORE ELET. 5.5kW | ELECTRIC MOTOR 4kW ELECTRIC MOTOR 5.5kW | |
| 16 | RA01Z0369 | 1 | STAFFA SUPPORTO MOTORE | MOTOR SUPPORT BRACKET | |
| 17 | RA01Z2022 | 2 | STAFFA TRASPORTO | TRANSPORT BRACKET | |
| 18 | RF06R7613 | 4 | ANTIVIBRANTE | VIBRATION DAMPENER | |
| 19 | RF06R7352 | 3 | ANTIVIBRANTE | VIBRATION DAMPENER | |
| 20 | RF06R2681 | 3 | RACCORTO L M-M 3/8" | L FITTING M-M 3/8" | |
| 21 | RF06R9012 RF06R9009 RF06R9014 | 1 | VALVOLA SICUREZZA 3/8" 9 BAR VALVOLA SICUREZZA 3/8" 11 BAR VALVOLA SICUREZZA 3/8 15 BAR | SAFETY VALVE 3/8" 9 BAR SAFETY VALVE 3/8" 11 BAR SAFETY VALVE 3/8" 15 BAR | |
| 22 | RF06R0558 | 1 | TUBO USCITA ARIA | AIR OUTLET PIPE | |
| 23 | RF06R2255 | 1 | RACCORDO DRITTO 1/2" | STRAIT FITTING 1/2" | |
| 24 | RF06R0556 | 1 | TUBO FLEX 3/8" F X F | FLEX TUBE 3/8" F X F | |
| 25 | RF06R0557 | 1 | TUBO FLEX 3/8" F X F | FLEX TUBE 3/8" F X F | |
| 26 | RF06R0475 | 1 | TUBO FLEX 3/8" F45° X F | FLEX TUBE 3/8" F45° X F | |
| 27 | RF06R2100 | 3 | NIPPOLO DI GIUNZIONE 3/8" | 1/2" NIPPLE | |
| 28 | RF06R7289 | 5 | BONDED SEALS 3/8" | BONDED SEALS 3/8" | |
| 29 | RF06R7324 | 2 | BONDED SEALS 1/4" | BONDED SEALS 1/4" | |
| 30 | RF06R7314 | 1 | VITE FORATA 1/4" | BORED SCREW 1/4" | |
| 31 | RF06R2234 | 1 | NIPPLES RIDOTTO 3/8" x 1/4" | REDUCING NIPPLES 3/8" x 1/4" | |
| 32 | RF06R2163 | 1 | RACCORDO AD OCCHIO FEMMINA 1/4" | 1/4" FEMALE EYE FITTING | |
| 33 | RF06R2482 | 1 | RACCORDO T 3/8" FFF | 3/8" T FITTING FFF | |
| 34 | RF06R2301 | 1 | RACCORDO DRITTO 3/8" M | 3/8" STRAIT FITTING M | |
| 35 | RM10N0232 | 1 | ADAM L60/nr M22 (Ø40) +GHS100 | ADAM L60/nr M22 (Ø40) +GHS100 | |

(*) Ricambi consigliati
Recommended spare parts

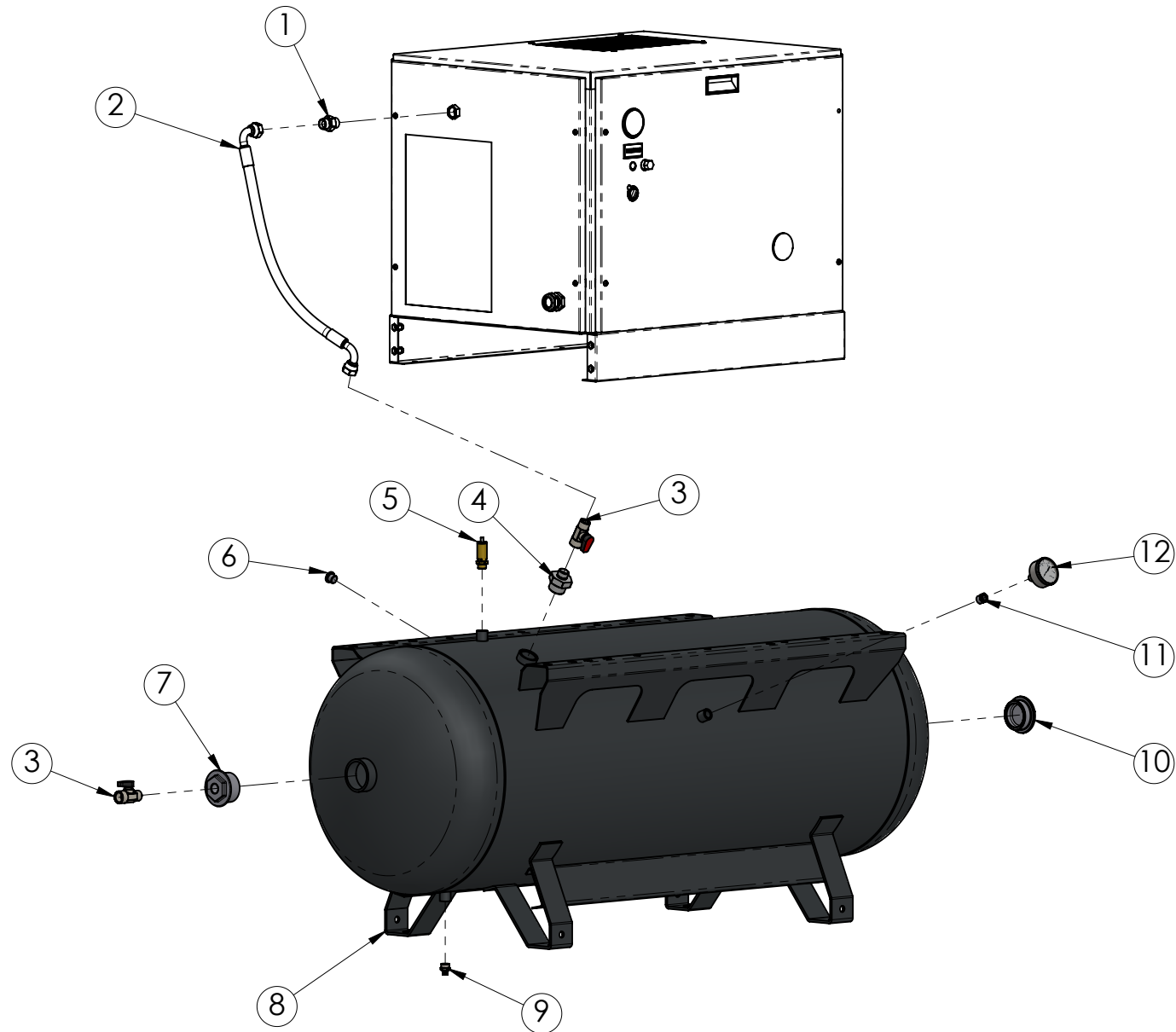
| | | | | | | | |
|--------------|--|----------------|-----------------------------------|--------------|---------|-----------------------|----|
| TIPO TYPE | Ricambi Interni Internal Spare parts | CODICE CODE | MAXI 6-8 tutte le versioni | DATA DATE | 04/2024 | REVISIONE REVISION | 00 |
|--------------|--|----------------|-----------------------------------|--------------|---------|-----------------------|----|

TRASMISSIONI PER MACCHINE BCT 5-7
BCT 5-7TRASMITION

| POTENZA POWER KW | P (bar) | (9) PULEGGIA MOTORE MOTOR PULLEY | (10) BUSSOLA MOTORE MOTOR BUSH | (11) PULEGGIA VITE SCREW PULLEY | (12) BUSSOLA VITE SRCREW BUSH | (13) CINGHIA BELT |
|---------------------------------|--------------------|---|---|--|--|----------------------------------|
| 4 (50HZ) | 8 | RD04T0193 | RD04T1006 | RD04TOR202 | RD04T1001 | RD04T2077 |
| | 10 | RD04T0193 | RD04T1006 | RD04TR0194 | RD04T1003 | RD04T2073 |
| | 13 | RD04T0193 | RD04T1006 | RD04T0201 | RD04T1011 | RD04T2070 |
| 4 (60HZ) | 8 | RD04T0193 | RD04T1006 | RD04T0194 | RD04T1003 | RD04T2077 |
| | 10 | RD04T0193 | RD04T1006 | RD04T0201 | RD04T1011 | RD04T2070 |
| | 13 | RD04T0193 | RD04T1006 | RD04T0193 | RD04T1011 | RD04T2069 |
| 5,5 (50HZ) | 8 | RD04T0195 | RD04T1016 | RD04T0196 | RD04T1003 | RD04T2071 |
| | 10 | RD04T0197 | RD04T1016 | RD04T0196 | RD04T1003 | RD04T2072 |
| | 13 | RD04T0198 | RD04T1016 | RD04T0196 | RD04T1003 | RD04T2073 |
| 5,5 (60HZ) | 8 | RD04T0198 | RD04T1016 | RD04T0202 | RD04T1001 | RD04T2070 |
| | 10 | RD04T0193 | RD04T1006 | RD04T0202 | RD04T1001 | RD04T2077 |
| | 13 | RD04T0194 | RD04T1037 | RD04T0202 | RD04T1001 | RD04T2076 |

(*) Ricambi consigliati
Recommended spare parts

| | | | | | | | |
|--------------|---|----------------|-----------------------------------|--------------|---------|-----------------------|----|
| TIPO TYPE | Ricambi Interni <i>Internal Spare Parts</i> | CODICE CODE | MAXI 6-8 tutte le versioni | DATA DATE | 04/2024 | REVISIONE REVISION | 00 |
|--------------|---|----------------|-----------------------------------|--------------|---------|-----------------------|----|

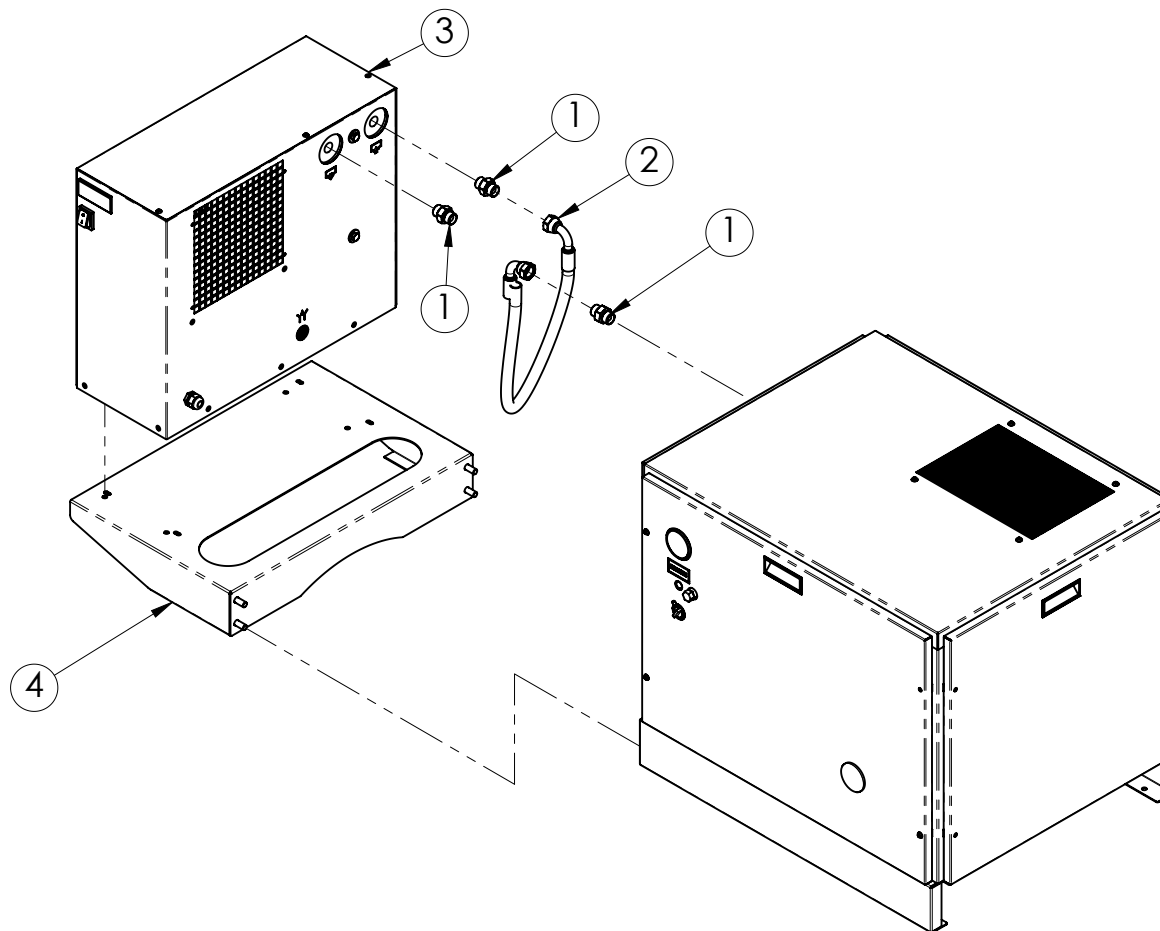


| | | | | |
|--|----------------|-----------------------------------|----------------------|--------------------------|
| TIPO Ricambi con versione serbatoio TYPE <i>Air Tank version spare parts</i> | CODICE CODE | MAXI 6-8 tutte le versioni | DATA DATE 04/2024 | REVISIONE REVISION 00 |
|--|----------------|-----------------------------------|----------------------|--------------------------|

| N° | Codice Code | Q.tà Q.ty | Descrizione | Description | (*) Rec. |
|----|-------------------------------------|-----------|--|---|----------|
| 1 | RF06R2101 | 1 | NIPPLO DI GIUNZIONE 1/2" - 1/2" | 1/2" NIPPLE | |
| 2 | RF06R0569 | 1 | TUBO FLEX 1/2" F90° X F90° | FLEX TUBE 1/2" F90° X F90° | |
| 3 | RF06R9007 | 1 | RUBINETTO A SFERA 1/2" | BALL VALVE 1/2" | |
| 4 | RF06R2110 | 1 | NIPPLO RIDOTTO 1" - 1/2" | REDUCED NIPPLE 1" - 1/2" | |
| 5 | RF06R9012 RF06R9009 RF06R9014 | 1 | VALVOLA SICUREZZA 3/8" 9 BAR VALVOLA SICUREZZA 3/8" 11 BAR VALVOLA SICUREZZA 3/8" 15 BAR | SAFETY VALVE 3/8" 9 BAR SAFETY VALVE 3/8" 11 BAR SAFETY VALVE 3/8" 15 BAR | |
| 6 | RF06R7059 | 1 | TAPPO TCEI 3/8" | 3/8" TCEI PLUG | |
| 7 | RF06R2186 | 1 | RIDUZIONE FL 2" - 1/2" | 2" - 1/2" FL REDUCTION | |
| 8 | RH08P0273-08 | 1 | SERBATOIO ARIA 270 Lt | 270 Lt AIR TANK | |
| 9 | RF06R9016 | 1 | RUBINETTO DI SPURGO 3/8" | 3/8" DRAIN PLUG | |
| 11 | RF06R7060 | 1 | RIDUZIONE 3/8"M X 1/4"F | 3/8"M X 1/4"F REDUCTION | |
| 12 | RF06R2382 | 1 | MANOMETRO Ø50 | PRESSURE GAUGE Ø50 | |

(*) Ricambi consigliati
Recommended spare parts

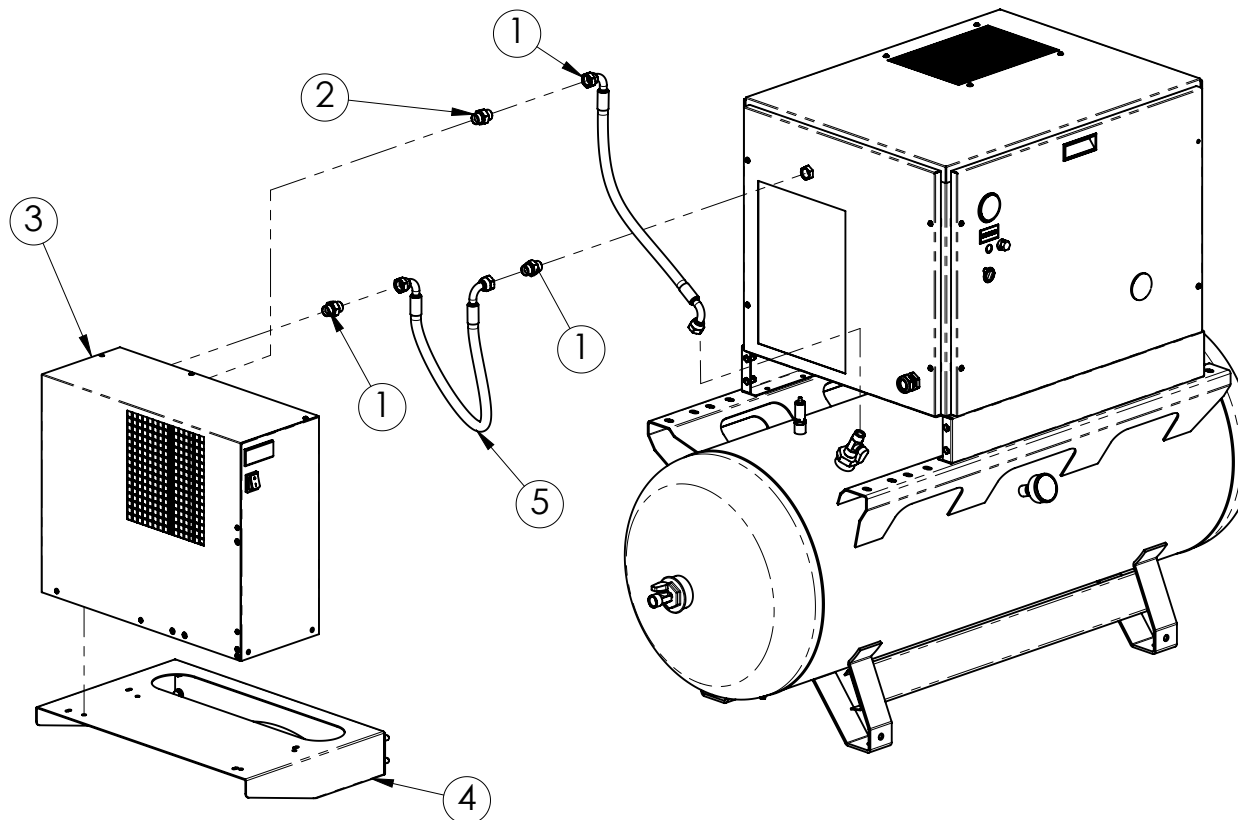
| | | | | | | | |
|--------------|---|----------------|-----------------------------------|--------------|---------|-----------------------|----|
| TIPO TYPE | Ricambi con versione serbatoio <i>Air Tank versione spare parts</i> | CODICE CODE | MAXI 6-8 tutte le versioni | DATA DATE | 04/2024 | REVISIONE REVISION | 00 |
|--------------|---|----------------|-----------------------------------|--------------|---------|-----------------------|----|



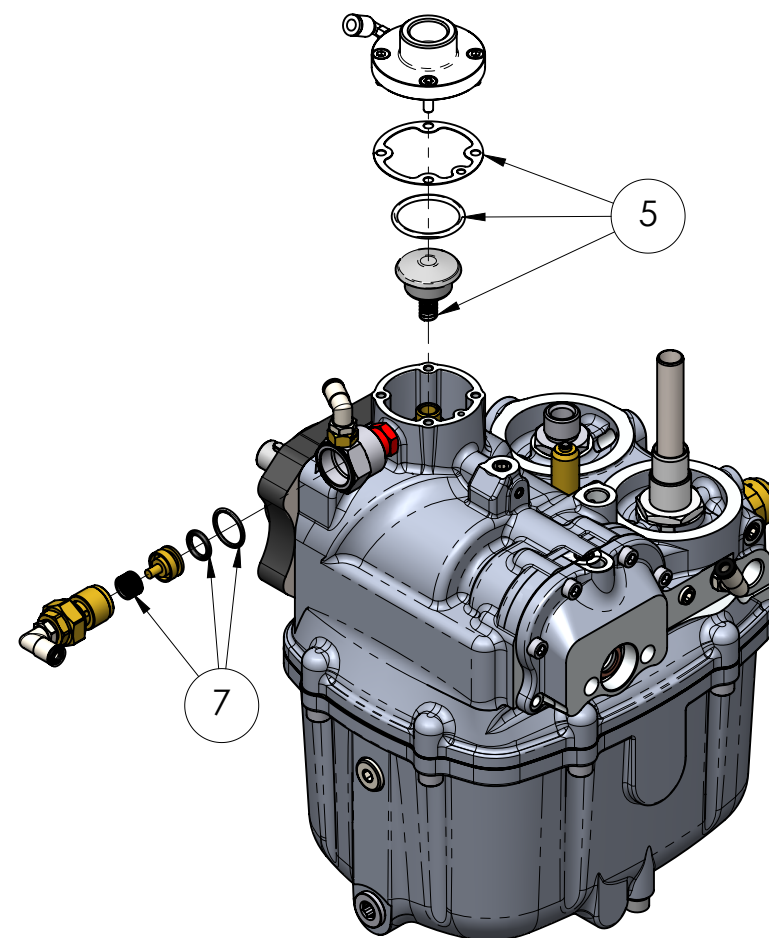
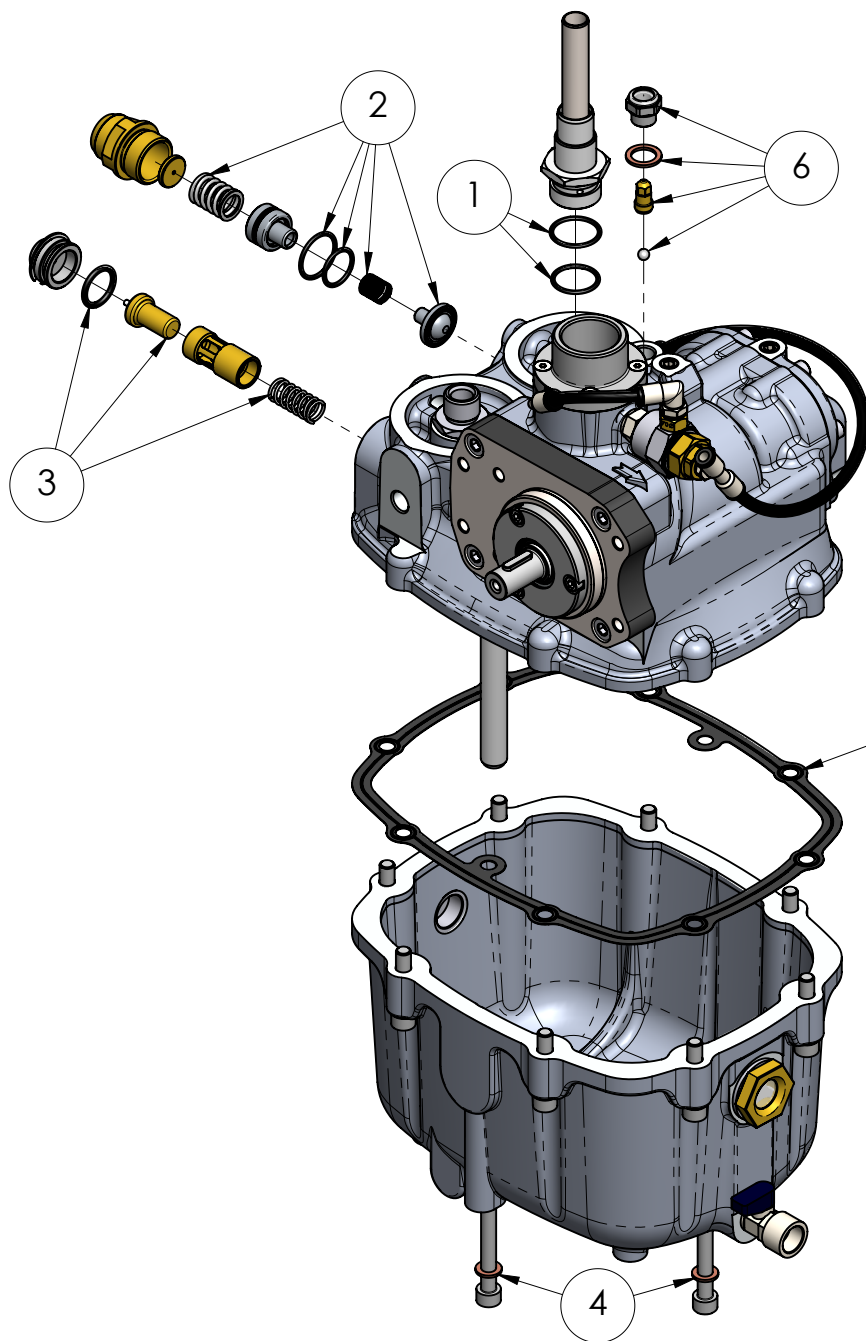
| N° | Codice Code | Q.tà Q.ty | Descrizione | Description | (*) Rec. |
|----|------------------------------|-----------|--|------------------------------|----------|
| 1 | RF06R2101 | 3 | NIPPLO DI GIUNZIONE 1/2" | 1/2" NIPPLE | |
| 2 | RF06R0161 | 1 | TUBO FLEX 1/2" F90° X F90° | FLEX TUBE 1/2" F90° X F90° | |
| 3 | RH08P0145-08 RH08P0146-08 | 1 | ESSICCATORE RDL 35 ESSICCATORE RDL 75 | RDL 35 DRYER RDL 75 DRYER | |
| 4 | RA01Z2396-08 | 1 | STAFFA SUPPORTO ESSICCATORE | DRYER SUPPORT | |

(*) Ricambi consigliati
Recommended spare parts

| | | | | | | | |
|--------------|---|----------------|-----------------------------------|--------------|---------|-----------------------|----|
| TIPO TYPE | Ricambi per versione essiccatore Dryer versione spare parts | CODICE CODE | MAXI 6-8 tutte le versioni | DATA DATE | 04/2024 | REVISIONE REVISION | 00 |
|--------------|---|----------------|-----------------------------------|--------------|---------|-----------------------|----|



| N° | Codice Code | Q.tà Q.ty | Descrizione | Description | (*) Rec. |
|----|------------------------------|--------------|--|------------------------------|-------------|
| 1 | RF06R2101 | 3 | NIPPLO DI GIUNZIONE 1/2" | 1/2" NIPPLE | |
| 2 | RF06R2101 | 2 | TUBO FLEX 1/2" F90° X F90° | FLEX TUBE 1/2" F90° X F90° | |
| 3 | RH08P0145-08 RH08P0146-08 | 1 | ESSICCATORE RDL 35 ESSICCATORE RDL 75 | RDL 35 DRYER RDL 75 DRYER | |
| 4 | RA01Z2396-08 | 1 | STAFFA SUPPORTO ESSICCATORE | DRYER SUPPORT | |

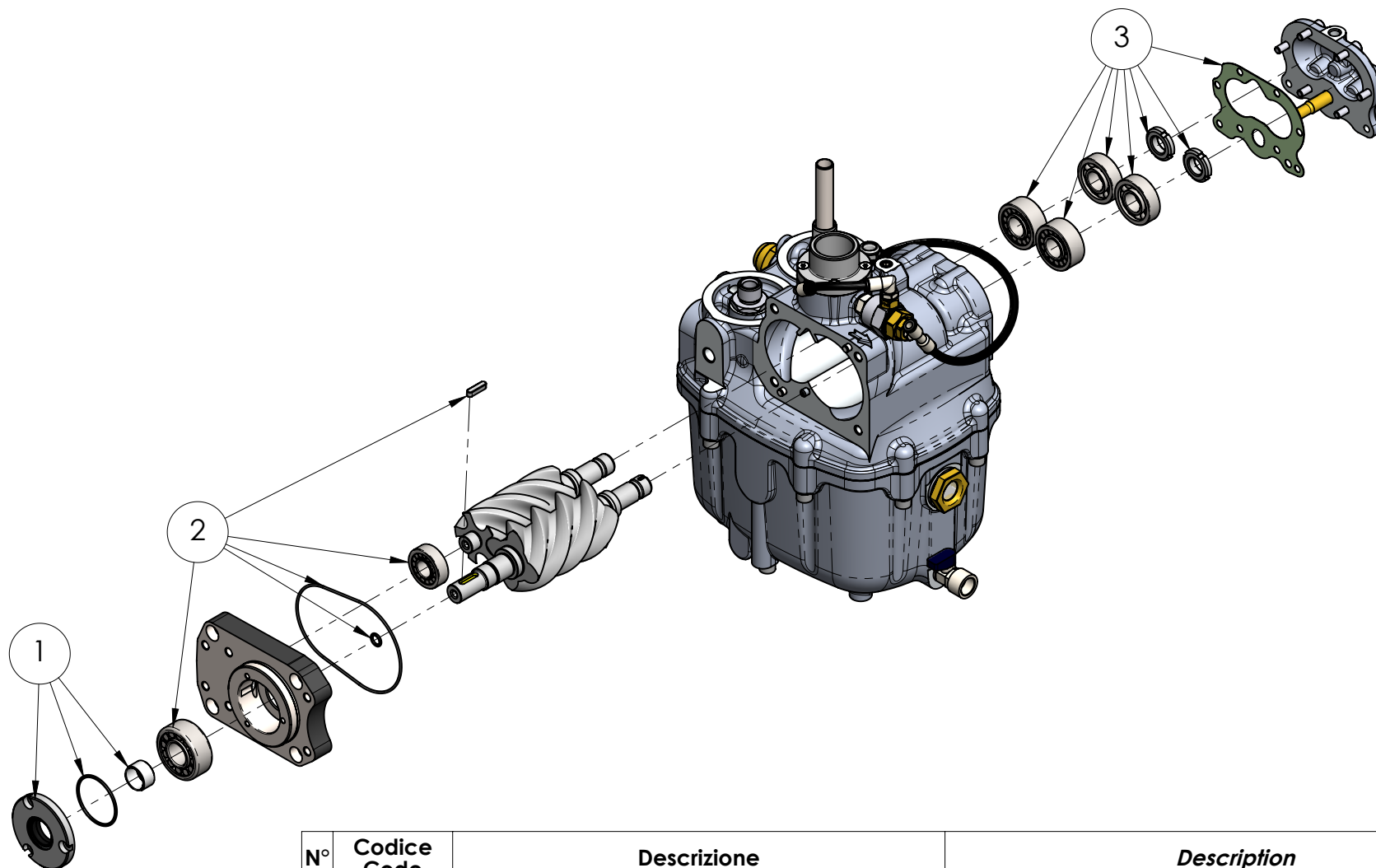


| | | | | |
|--|----------------|-----------------------------------|----------------------|--------------------------|
| TIPO Ricambi Pack Smart ADAM 60L TYPE <i>Pack Smart ADAM 60L Spare parts</i> | CODICE CODE | MAXI 6-8 tutte le versioni | DATA DATE 04/2024 | REVISIONE REVISION 00 |
|--|----------------|-----------------------------------|----------------------|--------------------------|

| N° | Codice Code | Descrizione | Description | (*) Rec. |
|----|-------------|---|---|----------|
| 1 | RN11L3010 | KIT RICAMBIO NIPPLO SEP. M22-M24 | M22-M24 SEPARATOR NIPPLES SPARE PARTS KIT | |
| 2 | RN11L3011 | KIT RICAMBI V.M.P. G10 (1/2-3/4) | V.M.P. G10 (1/2-3/4) SPARE PARTS KIT | * |
| 3 | RN11L3040 | KIT VALVOLA TERMOSTATICA ADAM 60 71° | KIT VALVOLA TERMOSTATICA ADAM 60 71° | * |
| 4 | RN11L3080 | KIT ANELLI TENUTA BASE FLANGIA ADAM V60 | ADAM BASE FLANGE O-RING SPARE PARTS KIT | |
| 5 | RN11L3006 | KIT RICAMBI COMPLETO RH30E/nr | KIT INTAKE VALVE RH30E/nr SPARE PARTS KIT | * |
| 6 | RN11L3048 | VISORE RECUPERO OLIO INTERNO | INTERNAL OIL RECOVERY VIEWER | |
| 7 | RN11L3134 | KIT RICAMBI GHS100 PER RH30nr | SPARE PARTS KIT GHS100 RH30nr | |

(*) Ricambi consigliati
Recommended spare parts

| | | | | | | |
|--------------|--|-----------------------------------|--------------|---------|-----------------------|----|
| TIPO TYPE | Ricambi Pack Smart ADAM 60L <i>Pack Smart ADAM 60L Spare Parts</i> | MAXI 6-8 tutte le versioni | DATA DATE | 04/2024 | REVISIONE REVISION | 00 |
|--------------|--|-----------------------------------|--------------|---------|-----------------------|----|



| N° | Codice Code | Descrizione | Description | (*) Rec. |
|----|-------------|--------------------------------|---|-------------|
| 1 | RN11L3045 | KIT RICAMBI PARAOLIO ADAM 60 | ADAM 60 AIR-END OIL SPLASHGUARD SPARE PARTS KIT | |
| 2 | RN11L3046 | KIT RICAMBI CUSCINETTI ADAM 60 | ADAM 60 AIR-END BEARINGS SPARE PARTS KIT | |

(*) Ricambi consigliati
Recommended spare parts

| | | | | | | | |
|--------------|--|----------------|-----------------------------------|--------------|---------|-----------------------|----|
| TIPO TYPE | Ricambi Gruppo Vite V60 <i>Air-End Group V60 Spare parts</i> | CODICE CODE | MAXI 6-8 tutte le versioni | DATA DATE | 04/2024 | REVISIONE REVISION | 00 |
|--------------|--|----------------|-----------------------------------|--------------|---------|-----------------------|----|

| HOURS | RICAMBI | SPARE PARTS | MAINTENANCE KIT WITHOUT OIL |
|-------|--|--|-----------------------------|
| 2000 | Filtro aria Filtro Olio Filtro Disoleatore | Inlet Filter Cartridge Oil filter Air/oil separator filter | R000OB000001 |



OLIO / OIL

ITALYCO PREMIUM AM ISO 46 è un olio lubrificante ad alte prestazioni formulato per compressori d'aria a vite a iniezione d'olio. I suoi additivi antiusura forniscono un'ottima protezione, contribuendo così a garantire una maggiore longevità del compressore e dei suoi elementi.

ITALYCO PREMIUM AM ISO 46 is a high performance lubricating oil formulated for oil-injected screw air compressors. Its anti-wear additives provide excellent protection, thus helping to ensure greater longevity of the compressor and its elements.

| QUANTITA' / QUANTITY | CODICE / CODE |
|----------------------|---------------|
| 5 LT | R000OA010001 |

| | | | | | | | |
|--------------|---|----------------|-----------------------------------|--------------|----------------|-----------------------|-----------|
| TIPO TYPE | Kit manutenzione <i>Maintenance Kit</i> | CODICE CODE | MAXI 6-8 tutte le versioni | DATA DATE | 04/2024 | REVISIONE REVISION | 00 |
|--------------|---|----------------|-----------------------------------|--------------|----------------|-----------------------|-----------|